

VISITORS (Last Name, First)

| NO.                                | PLEASURE RIDGE PARK | Tot  |        | 3-POINT  |     | FT    |       | Rebounds |     |       | PF    | TP       | A  | TO | BLK | S  | TIME  |
|------------------------------------|---------------------|------|--------|----------|-----|-------|-------|----------|-----|-------|-------|----------|----|----|-----|----|-------|
|                                    |                     | FG   | FGA    | FG       | FGA | FT    | FTA   | OFF      | DEF | TOT   |       |          |    |    |     |    |       |
| 30                                 | MACKLIN, DANYELL    | 8    | 14     | 1        | 4   | 2     | 3     | 2        | 9   | 11    | 2     | 19       | 1  | 1  | 3   | 4  | 28:36 |
| 34                                 | LINVILLE, MATT      | 7    | 10     | 0        | 0   | 0     | 0     | 2        | 6   | 8     | 3     | 14       | 1  | 6  | 0   | 3  | 26:53 |
| 24                                 | KELLY, RAMONE       | 2    | 6      | 0        | 2   | 0     | 0     | 0        | 1   | 1     | 1     | 4        | 1  | 1  | 0   | 0  | 19:16 |
| 12                                 | STANDARD, D.        | 4    | 11     | 0        | 2   | 2     | 3     | 1        | 1   | 2     | 2     | 10       | 4  | 5  | 0   | 1  | 25:31 |
| 15                                 | TAYLOR, CHARLIE     | 2    | 6      | 1        | 3   | 0     | 0     | 0        | 0   | 0     | 3     | 5        | 2  | 5  | 0   | 2  | 21:47 |
| 25                                 | WELLS, STEVE        | 6    | 8      | 0        | 0   | 4     | 4     | 1        | 4   | 5     | 1     | 16       | 3  | 2  | 0   | 1  | 23:35 |
| 33                                 | ALEXANDER, CRAIG    | 0    | 1      | 0        | 0   | 3     | 4     | 1        | 0   | 1     | 2     | 3        | 0  | 0  | 0   | 0  | 11:18 |
| 20                                 | RICKETTS, JASON     | 0    | 0      | 0        | 0   | 0     | 0     | 0        | 0   | 0     | 0     | 0        | 0  | 1  | 0   | 1  | 1:28  |
| 42                                 | LOCKHART, MIKEE     | 0    | 1      | 0        | 0   | 0     | 0     | 0        | 0   | 0     | 1     | 0        | 0  | 0  | 0   | 0  | 0:21  |
| 10                                 | PENICK, SCOTT       | 0    | 0      | 0        | 0   | 2     | 2     | 0        | 0   | 0     | 0     | 2        | 0  | 0  | 0   | 1  | 0:21  |
| 23                                 | ASHFORD, GOLDIE     | 0    | 0      | 0        | 0   | 0     | 0     | 0        | 0   | 0     | 0     | 0        | 0  | 0  | 0   | 0  | 0:24  |
| 22                                 | HAMILTON, ERIC      | 0    | 0      | 0        | 0   | 0     | 0     | 0        | 0   | 0     | 0     | 0        | 0  | 0  | 0   | 0  | 0:21  |
| 45                                 | SCHLATTER, JASON    | 0    | 0      | 0        | 0   | 0     | 0     | 0        | 0   | 0     | 0     | 0        | 0  | 0  | 0   | 0  | 0:3   |
| 32                                 | NELSON, GILWAN      | 0    | 0      | 0        | 0   | 0     | 0     | 0        | 1   | 1     | 0     | 0        | 0  | 0  | 0   | 0  | 0:3   |
| 21                                 | FEY, BRANDON        | 0    | 0      | 0        | 0   | 0     | 0     | 0        | 0   | 0     | 0     | 0        | 0  | 0  | 0   | 0  | 0:3   |
| TEAM REBOUNDS (INCLUDED IN TOTALS) |                     |      |        |          |     |       |       |          | 1   | 1     |       |          |    |    |     |    |       |
| TOTALS                             |                     | 29   | 57     | 2        | 11  | 13    | 16    | 7        | 23  | 30    | 15    | 73       | 12 | 21 | 3   | 13 | 160   |
| TOTAL FG 1st HALF                  |                     | 8/14 | 57.1%  | 2nd HALF |     | 21/43 | 48.8% | GAME     |     | 29/57 | 50.9% | DEADBALL |    |    |     |    |       |
| 3-POINT FG 1st HALF                |                     | 2/5  | 40.0%  | 2nd HALF |     | 0/6   | 0.0%  | GAME     |     | 2/11  | 18.2% | REBOUNDS |    | 4  |     |    |       |
| FREE THROWS 1st HALF               |                     | 4/4  | 100.0% | 2nd HALF |     | 9/12  | 75.0% | GAME     |     | 13/16 | 81.3% |          |    |    |     |    |       |

HOME (Last Name, First)

| NO.                                | MASON COUNTY     | Tot  |        | 3-POINT  |     | FT    |       | Rebounds |     |       | PF    | TP       | A | TO | BLK | S  | TIME  |
|------------------------------------|------------------|------|--------|----------|-----|-------|-------|----------|-----|-------|-------|----------|---|----|-----|----|-------|
|                                    |                  | FG   | FGA    | FG       | FGA | FT    | FTA   | OFF      | DEF | TOT   |       |          |   |    |     |    |       |
| 40                                 | MYRICK, TIM      | 4    | 11     | 3        | 8   | 0     | 0     | 0        | 4   | 4     | 3     | 11       | 1 | 7  | 0   | 0  | 26:30 |
| 51                                 | THOMAS, ANTHONY  | 6    | 10     | 0        | 0   | 2     | 2     | 3        | 2   | 5     | 0     | 14       | 0 | 4  | 0   | 0  | 21:51 |
| 54                                 | SHERMAN, KYLE    | 2    | 5      | 0        | 0   | 2     | 2     | 0        | 2   | 2     | 2     | 6        | 2 | 1  | 2   | 0  | 20:52 |
| 24                                 | MYRICK, SHAWN    | 3    | 10     | 1        | 5   | 1     | 2     | 2        | 3   | 5     | 5     | 8        | 2 | 5  | 0   | 7  | 31:02 |
| 34                                 | KING, JULIUS     | 0    | 2      | 0        | 2   | 1     | 2     | 0        | 2   | 2     | 4     | 1        | 3 | 5  | 0   | 3  | 21:11 |
| 42                                 | STEWART, WILLIAM | 3    | 7      | 0        | 1   | 2     | 2     | 1        | 2   | 3     | 2     | 8        | 1 | 4  | 1   | 0  | 21:25 |
| 11                                 | JOHNSON, LAMONT  | 2    | 3      | 0        | 1   | 0     | 0     | 1        | 0   | 1     | 1     | 4        | 0 | 3  | 0   | 0  | 8:29  |
| 30                                 | MUCHRISON, BRIAN | 0    | 2      | 0        | 0   | 0     | 0     | 0        | 1   | 1     | 1     | 0        | 0 | 0  | 0   | 1  | 6:06  |
| 52                                 | HACK, P.J.       | 0    | 0      | 0        | 0   | 0     | 0     | 0        | 0   | 0     | 0     | 0        | 0 | 0  | 0   | 0  | 0:34  |
| 33                                 | DOYLE, PHIL      | 0    | 0      | 0        | 0   | 0     | 0     | 0        | 0   | 0     | 1     | 0        | 0 | 1  | 0   | 0  | 0:24  |
| 22                                 | LINVILLE, CHAD   | 0    | 0      | 0        | 0   | 0     | 0     | 0        | 0   | 0     | 0     | 0        | 0 | 0  | 0   | 0  | 0:24  |
| 41                                 | GREENE, BRANDON  | 0    | 0      | 0        | 0   | 0     | 0     | 0        | 0   | 0     | 0     | 0        | 0 | 0  | 0   | 0  | 0:24  |
| 05                                 | FOX, LAMAR       | 0    | 0      | 0        | 0   | 0     | 1     | 0        | 1   | 1     | 0     | 0        | 0 | 0  | 0   | 0  | 0:24  |
| 15                                 | LESTER, MIKE     | 0    | 0      | 0        | 0   | 0     | 0     | 0        | 0   | 0     | 0     | 0        | 0 | 0  | 0   | 0  | 0:7   |
| 03                                 | NEFF, MATT       | 0    | 0      | 0        | 0   | 0     | 0     | 0        | 0   | 0     | 0     | 0        | 0 | 0  | 0   | 0  | 0:17  |
| TEAM REBOUNDS (INCLUDED IN TOTALS) |                  |      |        |          |     |       |       |          | 3   | 3     |       |          |   |    |     |    |       |
| TOTALS                             |                  | 20   | 50     | 4        | 17  | 8     | 11    | 7        | 20  | 27    | 19    | 52       | 9 | 30 | 3   | 11 | 160   |
| TOTAL FG 1st HALF                  |                  | 5/10 | 50.0%  | 2nd HALF |     | 15/40 | 37.5% | GAME     |     | 20/50 | 40.0% | DEADBALL |   |    |     |    |       |
| 3-POINT FG 1st HALF                |                  | 1/3  | 33.3%  | 2nd HALF |     | 3/14  | 21.4% | GAME     |     | 4/17  | 23.5% | REBOUNDS |   | 2  |     |    |       |
| FREE THROWS 1st HALF               |                  | 2/2  | 100.0% | 2nd HALF |     | 6/9   | 66.7% | GAME     |     | 8/11  | 72.7% |          |   |    |     |    |       |

OFFICIALS: ERNIE LIGGETT, CHARLES KIRK, ALT. - YVON ALLEN  
 Technicals: None

SCORE BY PERIODS

|                     |    |    |    |    |   |    |
|---------------------|----|----|----|----|---|----|
| PLEASURE RIDGE PARK | 22 | 10 | 18 | 23 | = | 73 |
| MASON COUNTY        | 13 | 12 | 18 | 9  | = | 52 |

Attendance: 11,450

COMMENTS: POINTS OFF TURNOVERS

|                     |    |              |    |                     |    |              |   |
|---------------------|----|--------------|----|---------------------|----|--------------|---|
| PLEASURE RIDGE PARK | 32 | MASON COUNTY | 14 | PLEASURE RIDGE PARK | 10 | MASON COUNTY | 6 |
|---------------------|----|--------------|----|---------------------|----|--------------|---|

Produced by the KHSAA Sweet Sixteen Stat Crew with FINAL III - a Product of LEXICON SPORTS™

| MASON COUNTY   |      |      |           | Time   | Score  | PLEASURE RIDGE PARK  | Player Team      |       |      |       |  |
|--|------|------|-----------|--------|--------|--|------------------|-------|------|-------|--|
| MYRICK, TIM, THOMAS, ANTHONY, SHERMAN, KYLE, MYRICK, SHAWN, KING, JULIUS |      |      |           |        |        | MACKLIN, DANYELL, LINVILLE, MATT, KELLY, RAMONE, STANDARD, D., TAYLOR, CHARLIE | Ball to PANTHERS |       |      |       |  |
| 1-1  | 1    | 100% | 1-2 50.0% | 1 7:19 |        |  |                  |       |      |       |  |
|  | 1    |      | 1         | 1 6:32 | *2-0   |  |                  |       |      |       |  |
|  |      |      |           | 1 6:24 |        | Foul on STANDARD, D.   |                  | 1     | 1    |       |  |
|  |      |      |           | 1 5:45 | 2-2*   | Driving Layup by LINVILLE, MATT  | 1-1              | 100%  | 1-3  | 33.3% |  |
|  |      |      |           | 1 5:31 |        | Assist by STANDARD, D.   |                  | 1     |      | 1     |  |
|  |      |      |           | 1 5:31 |        | Foul on MACKLIN, DANYELL   |                  | 1     |      | 2     |  |
|  |      |      |           | 1 5:31 |        | Sub In: WELLS, STEVE Out: KELLY, RAMONE  |                  |       |      |       |  |
| 2-2  | 100% | 2-2  | 100%      | 1 5:31 | *4-2   |  |                  |       |      |       |  |
|  |      |      |           | 1 5:19 |        | Foul on WELLS, STEVE   |                  | 1     |      | 3     |  |
|  |      |      |           | 1 5:11 |        |  |                  |       |      |       |  |
|  |      |      |           | 1 4:59 | 4-4*   | 4 ft Lane Follow by WELLS, STEVE   | 1-1              | 100%  | 2-5  | 40.0% |  |
|  |      |      |           | 1 4:35 | 4-6*   | 6 ft Lane Driving by WELLS, STEVE  | 2-2              | 100%  | 3-6  | 50.0% |  |
|  |      |      |           | 1 4:26 |        |  |                  |       |      |       |  |
|  |      |      |           | 1 3:59 |        |  |                  |       |      |       |  |
|  |      |      |           | 1 3:51 |        |  |                  |       |      |       |  |
|  |      |      |           | 1 3:51 |        |  |                  |       |      |       |  |
|  |      |      |           | 1 3:51 |        |  |                  |       |      |       |  |
|  |      |      |           | 1 3:51 | 4-9*   | 3 pt 20 ft Left Side Jump shot by TAYLOR, CHARLIE                              | 1-1              | 100%  | 4-8  | 50.0% |  |
|  |      |      |           | 1 3:21 | 4-11*  | Dunk Off Fast Break by MACKLIN, DANYELL  | 1-1              | 100%  | 5-9  | 55.5% |  |
|  |      |      |           | 1 3:06 |        | Assist by WELLS, STEVE   |                  | 1     |      | 2     |  |
|  |      |      |           | 1 3:06 |        | Foul on TAYLOR, CHARLIE  |                  | 1     |      | 3     |  |
|  |      |      |           | 1 3:06 | *7-11  | Sub In: ALEXANDER, CRAIG Out: MACKLIN, DANYELL                                 |                  | 1     |      | 4     |  |
|  |      |      |           | 1 2:46 |        |  |                  |       |      |       |  |
|  |      |      |           | 1 2:24 |        | Foul on TAYLOR, CHARLIE  |                  | 2     |      | 5     |  |
|  |      |      |           | 1 2:24 |        | Sub In: KELLY, RAMONE Out: TAYLOR, CHARLIE                                     |                  |       |      |       |  |
|  |      |      |           | 1 2:24 |        | Sub In: MACKLIN, DANYELL Out: LINVILLE, MATT                                   |                  |       |      |       |  |
|  |      |      |           | 1 2:20 |        |  |                  |       |      |       |  |
|  |      |      |           | 1 2:03 | 7-13*  | 4 ft Lane Driving by WELLS, STEVE  | 3-3              | 100%  | 6-11 | 54.5% |  |
|  |      |      |           | 1 1:33 | *9-13  |  |                  |       |      |       |  |
|  |      |      |           | 1 1:20 |        |  |                  |       |      |       |  |
|  |      |      |           | 1 1:20 |        | Sub In: LINVILLE, MATT Out: KELLY, RAMONE                                      |                  |       |      |       |  |
|  |      |      |           | 1 1:20 |        |  |                  |       |      |       |  |
|  |      |      |           | 1 1:20 | 9-15*  | ALEXANDER, CRAIG, 2 Free Throws made both                                      | 2-2              | 100%  | 2-2  | 100%  |  |
|  |      |      |           | 1 0:58 |        |  |                  |       |      |       |  |
|  |      |      |           | 1 0:58 | 9-17*  | WELLS, STEVE, 2 Free Throws made both  | 2-2              | 100%  | 4-4  | 100%  |  |
|  |      |      |           | 1 0:44 | *11-17 |  |                  |       |      |       |  |
|  |      |      |           | 1 0:34 | 11-20* | 3 pt 20 ft Left Base Line Jump shot by MACKLIN, DANYELL                        | 2-3              | 66.6% | 7-13 | 53.8% |  |
|  |      |      |           | 1 0:17 | 11-22* | Layup Off Fast Break by WELLS, STEVE   | 4-4              | 100%  | 8-14 | 57.1% |  |
|  |      |      |           | 1 0:03 | *13-22 | Assist by STANDARD, D.   |                  | 3     |      | 5     |  |
| 2-2  | 100% | 5-10 | 50.0%     |        |        | Driving Layup by THOMAS, ANTHONY   |                  |       |      |       |  |

| Player   | Team  | MASON COUNTY   |
|--|-------|--|
| MYRICK, TIM, THOMAS, ANTHONY, SHERMAN, KYLE, MYRICK, SHAWN, KING, JULIUS |       |  |
| 3-4  | 75.0% | 6-12 50.0% 4 ft Lane Driving by THOMAS, ANTHONY<br>1 4 Assist by KING, JULIUS  |
| 1-1  | 100%  | 3-3 100% MYRICK, SHAWN, 1 Free Throw made  |
| 1-2  | 50.0% | 3-4 75.0% MYRICK, SHAWN, 1 Free Throw missed   |
| 4-5  | 80.0% | 7-13 53.8% Layup Off Fast Break by THOMAS, ANTHONY   |
| 5-6  | 83.3% | 8-16 50.0% 3 ft Lane Follow by THOMAS, ANTHONY<br>Sub In: STEWARD, WILLIAM Out: SHERMAN, KYLE<br>Sub In: MUCHRISON, BRIAN Out: THOMAS, ANTHONY               |
| 1  | 9     | Foul on KING, JULIUS<br>Sub In: SHERMAN, KYLE Out: MUCHRISON, BRIAN<br>Sub In: JOHNSON, LAMONT Out: KING, JULIUS<br>Sub In: THOMAS, ANTHONY Out: MYRICK, TIM |
| 1  | 10    | Foul on JOHNSON, LAMONT  |
| 2-3  | 66.6% | 9-23 39.1% 13 ft Left Side Jump shot by STEWARD, WILLIAM<br>Sub In: MYRICK, TIM Out: SHERMAN, KYLE   |
| 1-4  | 25.0% | 10-24 41.6% 3 pt 20 ft Left Angle Jump shot by MYRICK, TIM<br>Sub In: KING, JULIUS Out: JOHNSON, LAMONT  |
| 2  | 5     | Assist by KING, JULIUS   |

| Time  | Score | PLEASURE RIDGE PARK  | Player | Team              |
|---|-------|--|--------|-------------------|
| STANDARD, D., KELLY, RAMONE, MACKLIN, DANYELL, WELLS, STEVE, LINVILLE, MATT |       |  |        |                   |
| 2   | 7:12  | *15-22   |        |                   |
| 2   | 6:51  | Sub In: ALEXANDER, CRAIG Out: MACKLIN, DANYELL                                 |        |                   |
| 2   | 6:51  | Sub In: RICKETTS, JASON Out: WELLS, STEVE                                      |        |                   |
| 2   | 6:51  | *16-22   |        |                   |
| 2   | 6:50  |  |        |                   |
| 2   | 6:37  | *18-22   |        |                   |
| 2   | 6:29  | Sub In: TAYLOR, CHARLIE Out: STANDARD, D.                                      |        |                   |
| 2   | 6:02  | *20-22   |        |                   |
| 2   | 5:47  |  |        |                   |
| 2   | 5:47  |  |        |                   |
| 2   | 5:47  | Subs In: WELLS, STEVE, MACKLIN, DANYELL<br>Out: RICKETTS, JASON, KELLY, RAMONE |        |                   |
| 2   | 4:53  |  |        |                   |
| 2   | 4:53  | 20-23* ALEXANDER, CRAIG, 2 Free Throws missed 1st made 2nd                     | 3-4    | 75.0% 5-6 83.3%   |
| 2   | 3:32  | Sub In: KELLY, RAMONE Out: ALEXANDER, CRAIG                                    |        |                   |
| 2   | 3:19  | 20-25* 4 ft Lane Bank by LINVILLE, MATT  | 2-4    | 50.0% 9-21 42.8%  |
| 2   | 3:04  | Sub In: STANDARD, D. Out: TAYLOR, CHARLIE                                      |        |                   |
| 2   | 3:04  |  |        |                   |
| 2   | 2:41  | 20-27* 6 ft Left Side Bank by MACKLIN, DANYELL                                 | 3-6    | 50.0% 10-22 45.4% |
| 2   | 2:40  |  |        |                   |
| 2   | 2:40  | 20-28* MACKLIN, DANYELL, 1 Free Throw made                                     | 1-1    | 100% 6-7 85.7%    |
| 2   | 1:45  | 20-30* Follow Follow by STANDARD, D.   | 1-5    | 20.0% 11-24 45.8% |
| 2   | 1:31  | *22-30   |        |                   |
| 2   | 1:17  | Sub In: ALEXANDER, CRAIG Out: MACKLIN, DANYELL                                 |        |                   |
| 2   | 0:20  |  |        |                   |
| 2   | 0:20  | *25-30   |        |                   |
| 2   | 0:20  |  |        |                   |
| 2   | 0:20  | Sub In: MACKLIN, DANYELL Out: LINVILLE, MATT                                   |        |                   |
| 2   | 0:10  | 25-32* Shot by MACKLIN, DANYELL  | 4-7    | 57.1% 12-26 46.1% |
| 2   | 0:14  | Sub In: TAYLOR, CHARLIE Out: STANDARD, D.                                      |        |                   |

VISITORS (Last Name, First)

| NO.                                | PLEASURE RIDGE PARK | Tot FG |        | 3-POINT  |      | FT    |      | Rebounds |       |       | PF       | TP | A        | TO | BLK | S | TIME  |
|------------------------------------|---------------------|--------|--------|----------|------|-------|------|----------|-------|-------|----------|----|----------|----|-----|---|-------|
|                                    |                     | FG     | FGA    | FG       | FGA  | FT    | FTA  | OFF      | DEF   | TOT   |          |    |          |    |     |   |       |
| 30                                 | MACKLIN, DANYELL    | 4      | 7      | 1        | 3    | 1     | 1    | 0        | 3     | 3     | 1        | 10 | 0        | 1  | 1   | 3 | 13:17 |
| 34                                 | LINVILLE, MATT      | 2      | 5      | 0        | 0    | 0     | 0    | 1        | 5     | 6     | 1        | 4  | 0        | 2  | 0   | 2 | 14:36 |
| 24                                 | KELLY, RAMONE       | 0      | 2      | 0        | 1    | 0     | 0    | 0        | 0     | 0     | 0        | 0  | 0        | 0  | 0   | 0 | 9:18  |
| 12                                 | STANDARD, D.        | 1      | 5      | 0        | 1    | 0     | 0    | 1        | 1     | 2     | 1        | 2  | 3        | 4  | 0   | 0 | 12:21 |
| 15                                 | TAYLOR, CHARLIE     | 1      | 3      | 1        | 2    | 0     | 0    | 0        | 0     | 0     | 2        | 3  | 1        | 3  | 0   | 1 | 9:15  |
| 25                                 | WELLS, STEVE        | 4      | 4      | 0        | 0    | 2     | 2    | 1        | 1     | 2     | 1        | 10 | 1        | 1  | 0   | 0 | 12:27 |
| 33                                 | ALEXANDER, CRAIG    | 0      | 1      | 0        | 0    | 3     | 4    | 1        | 0     | 1     | 0        | 3  | 0        | 0  | 0   | 0 | 7:42  |
| 20                                 | RICKETTS, JASON     | 0      | 0      | 0        | 0    | 0     | 0    | 0        | 0     | 0     | 0        | 0  | 0        | 1  | 0   | 1 | 1:04  |
| TEAM REBOUNDS (INCLUDED IN TOTALS) |                     |        |        |          |      |       |      |          |       |       |          |    |          |    |     |   |       |
| TOTALS                             |                     | 12     | 27     | 2        | 7    | 6     | 7    | 4        | 10    | 14    | 6        | 32 | 5        | 12 | 1   | 7 | 80    |
| TOTAL FG                           | 1st HALF            | 8/14   | 57.1%  | 2nd HALF | 4/13 | 30.8% | GAME |          | 12/27 | 44.4% | DEADBALL |    | REBOUNDS |    | 2   |   |       |
| 3-POINT FG                         | 1st HALF            | 2/5    | 40.0%  | 2nd HALF | 0/2  | 0.0%  | GAME |          | 2/7   | 28.6% |          |    |          |    |     |   |       |
| FREE THROWS                        | 1st HALF            | 4/4    | 100.0% | 2nd HALF | 2/3  | 66.7% | GAME |          | 6/7   | 85.7% |          |    |          |    |     |   |       |

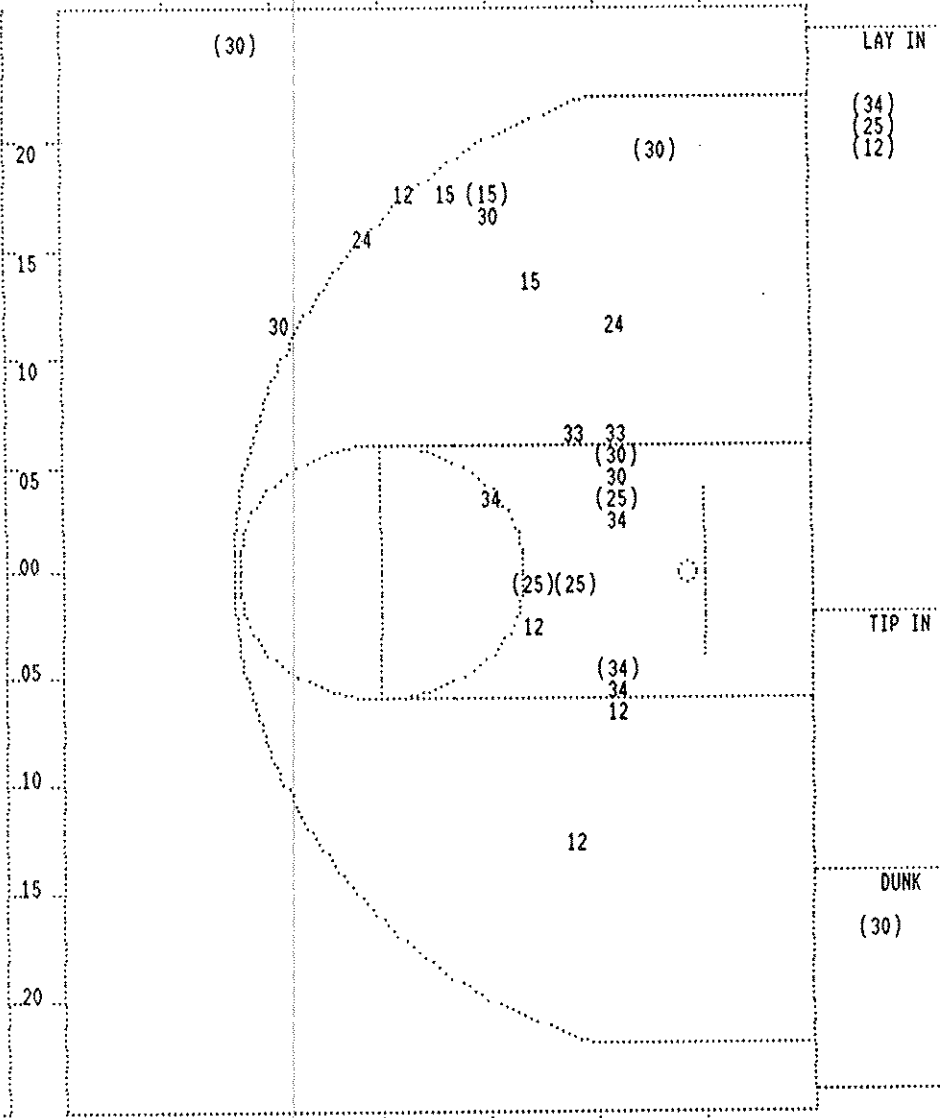
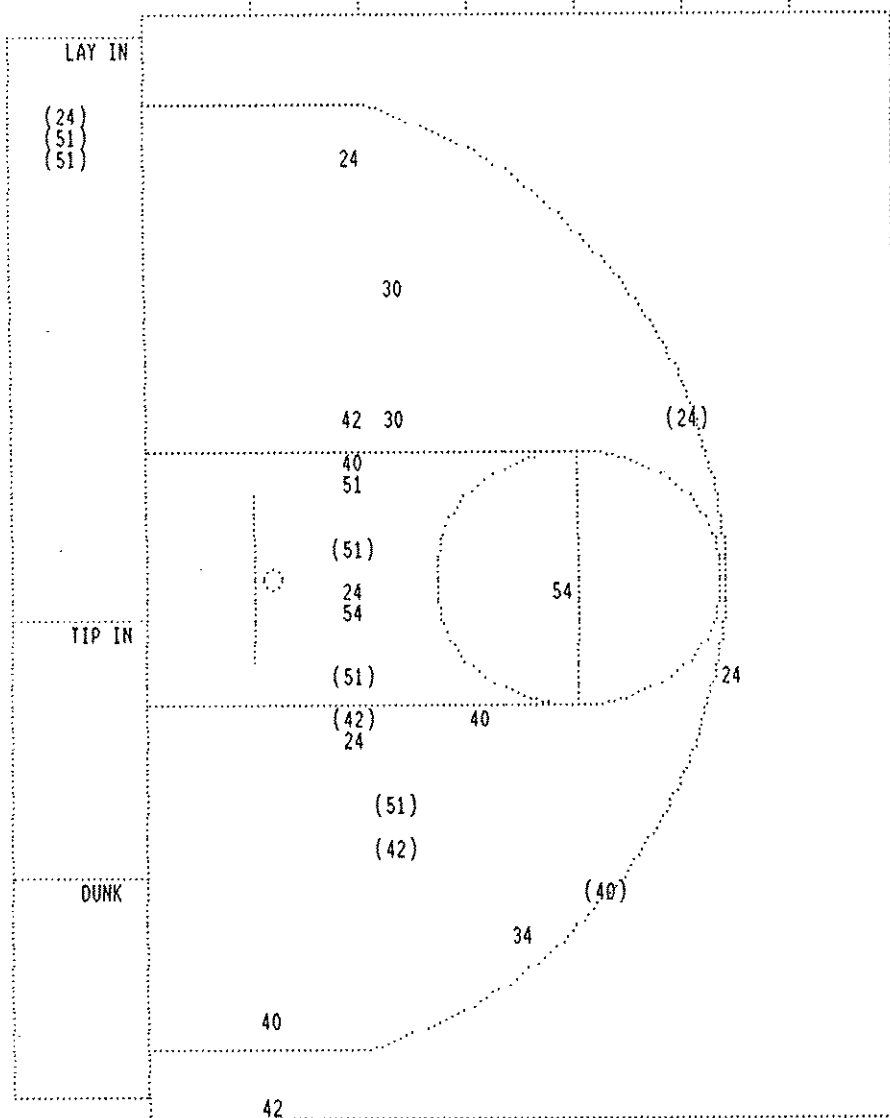
HOME (Last Name, First)

| NO.                                | MASON COUNTY     | Tot FG |        | 3-POINT  |      | FT    |      | Rebounds |       |       | PF       | TP | A        | TO | BLK | S | TIME  |
|------------------------------------|------------------|--------|--------|----------|------|-------|------|----------|-------|-------|----------|----|----------|----|-----|---|-------|
|                                    |                  | FG     | FGA    | FG       | FGA  | FT    | FTA  | OFF      | DEF   | TOT   |          |    |          |    |     |   |       |
| 40                                 | MYRICK, TIM      | 1      | 4      | 1        | 2    | 0     | 0    | 0        | 2     | 2     | 2        | 3  | 1        | 2  | 0   | 0 | 11:56 |
| 51                                 | THOMAS, ANTHONY  | 5      | 6      | 0        | 0    | 0     | 0    | 2        | 1     | 3     | 0        | 10 | 0        | 2  | 0   | 0 | 9:06  |
| 54                                 | SHERMAN, KYLE    | 0      | 2      | 0        | 0    | 2     | 2    | 0        | 0     | 0     | 2        | 2  | 1        | 1  | 0   | 0 | 9:34  |
| 24                                 | MYRICK, SHAWN    | 2      | 6      | 1        | 3    | 1     | 2    | 0        | 2     | 2     | 1        | 6  | 1        | 2  | 0   | 5 | 16:00 |
| 34                                 | KING, JULIUS     | 0      | 1      | 0        | 1    | 0     | 0    | 0        | 2     | 2     | 1        | 0  | 2        | 5  | 0   | 2 | 11:21 |
| 42                                 | STEWART, WILLIAM | 2      | 4      | 0        | 1    | 0     | 0    | 1        | 1     | 2     | 2        | 4  | 0        | 2  | 1   | 0 | 11:18 |
| 11                                 | JOHNSON, LAMONT  | 0      | 0      | 0        | 0    | 0     | 0    | 1        | 0     | 1     | 1        | 0  | 0        | 2  | 0   | 0 | 4:39  |
| 30                                 | MUCHRISON, BRIAN | 0      | 2      | 0        | 0    | 0     | 0    | 0        | 1     | 1     | 1        | 0  | 0        | 0  | 0   | 1 | 6:06  |
| TEAM REBOUNDS (INCLUDED IN TOTALS) |                  |        |        |          |      |       |      |          |       |       |          |    |          |    |     |   |       |
| TOTALS                             |                  | 10     | 25     | 2        | 7    | 3     | 4    | 4        | 10    | 14    | 10       | 25 | 5        | 16 | 1   | 8 | 80    |
| TOTAL FG                           | 1st HALF         | 5/10   | 50.0%  | 2nd HALF | 5/15 | 33.3% | GAME |          | 10/25 | 40.0% | DEADBALL |    | REBOUNDS |    | 1   |   |       |
| 3-POINT FG                         | 1st HALF         | 1/3    | 33.3%  | 2nd HALF | 1/4  | 25.0% | GAME |          | 2/7   | 28.6% |          |    |          |    |     |   |       |
| FREE THROWS                        | 1st HALF         | 2/2    | 100.0% | 2nd HALF | 1/2  | 50.0% | GAME |          | 3/4   | 75.0% |          |    |          |    |     |   |       |

OFFICIALS: ERNIE LIGGETT, CHARLES KIRK, ALT. - YVON ALLEN  
 Technicals: None  
 SCORE BY PERIODS  
 PLEASURE RIDGE PARK 22 10 = 32  
 MASON COUNTY 13 12 = 25

Attendance:  
 COMMENTS: POINTS OFF TURNOVERS SECOND CHANCE POINTS  
 PLEASURE RIDGE PARK 17 MASON COUNTY 5 PLEASURE RIDGE PARK 6 MASON COUNTY 4  
 Produced by the KHSAA Sweet Sixteen Stat Crew with FINAL III - a Product of LEXICON SPORTS™

FIRST HALF SHOT CHART Produced by the KHSAA Sweet Sixteen Stat Crew with FINAL III - a Product of LEXICON SPORTS



| MASON COUNTY    |        |          |                  |            |         |
|-----------------|--------|----------|------------------|------------|---------|
| Player          |        |          | Player           |            | Player  |
| 40 - MYRICK, TI | 1 / 4  | 25.0%    | 30 - MUCHRISON,  | 0 / 2      | 0.0%    |
| 51 - THOMAS, AN | 5 / 6  | 83.3%    | 42 - STEWARD, WI | 2 / 4      | 50.0%   |
| 54 - SHERMAN, K | 0 / 2  | 0.0%     |                  |            |         |
| 24 - MYRICK, SH | 2 / 6  | 33.3%    |                  |            |         |
| 34 - KING, JULI | 0 / 1  | 0.0%     |                  |            |         |
| Layups          | 1-9 Ft | 10-15 Ft | Over 15 Ft       | 3 Pointers | Total   |
| 3 / 4           | 3 / 10 | 2 / 5    |                  | 2 / 6      | 10 / 25 |
| 75.0%           | 30.0%  | 40.0%    |                  | 33.3%      | 40.0%   |

| PLEASURE RIDGE PARK |        |          |                 |            |         |
|---------------------|--------|----------|-----------------|------------|---------|
| Player              |        |          | Player          |            | Player  |
| 30 - MACKLIN, DA    | 4 / 7  | 57.1%    | 25 - WELLS, STE | 4 / 4      | 100.0%  |
| 34 - LINVILLE,      | 2 / 5  | 40.0%    | 33 - ALEXANDER, | 1 / 2      | 50.0%   |
| 24 - KELLY, RAM     | 0 / 2  | 0.0%     |                 |            |         |
| 12 - STANDARD,      | 1 / 5  | 20.0%    |                 |            |         |
| 15 - TAYLOR, CH     | 1 / 3  | 33.3%    |                 |            |         |
| Layups              | 1-9 Ft | 10-15 Ft | Over 15 Ft      | 3 Pointers | Total   |
| 6 / 6               | 6 / 13 | 0 / 3    |                 | 2 / 7      | 14 / 29 |
| 100.0%              | 46.2%  | 0.0%     |                 | 28.6%      | 48.3%   |

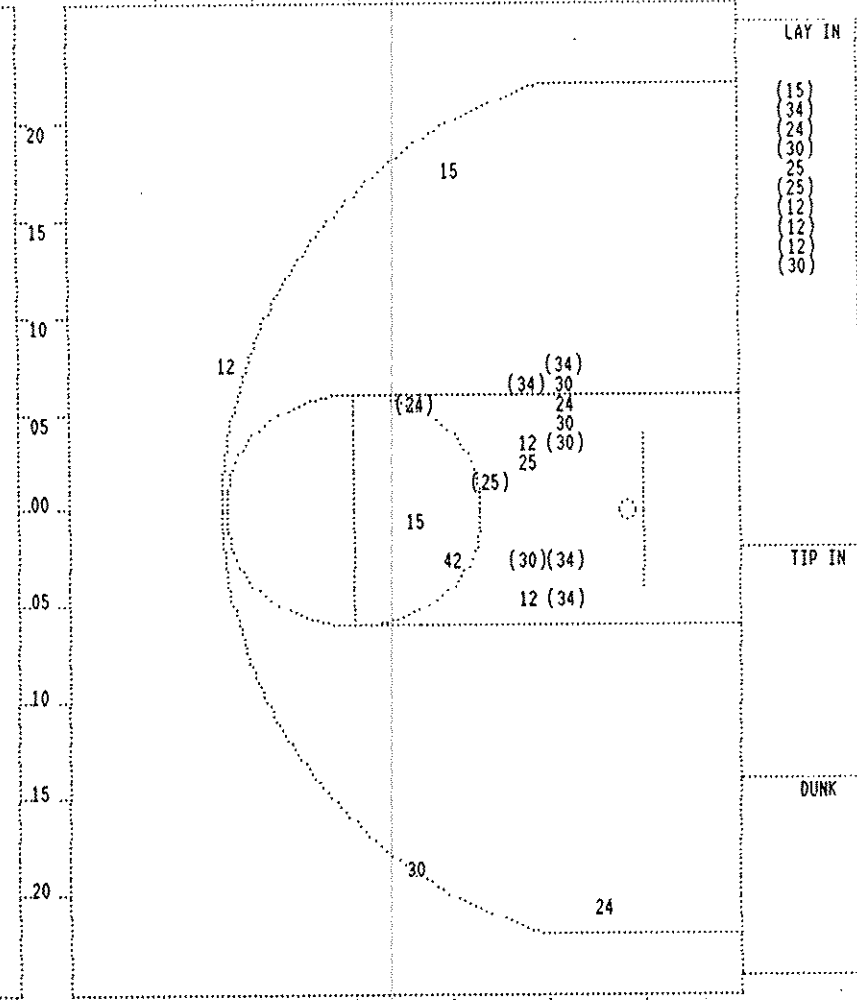
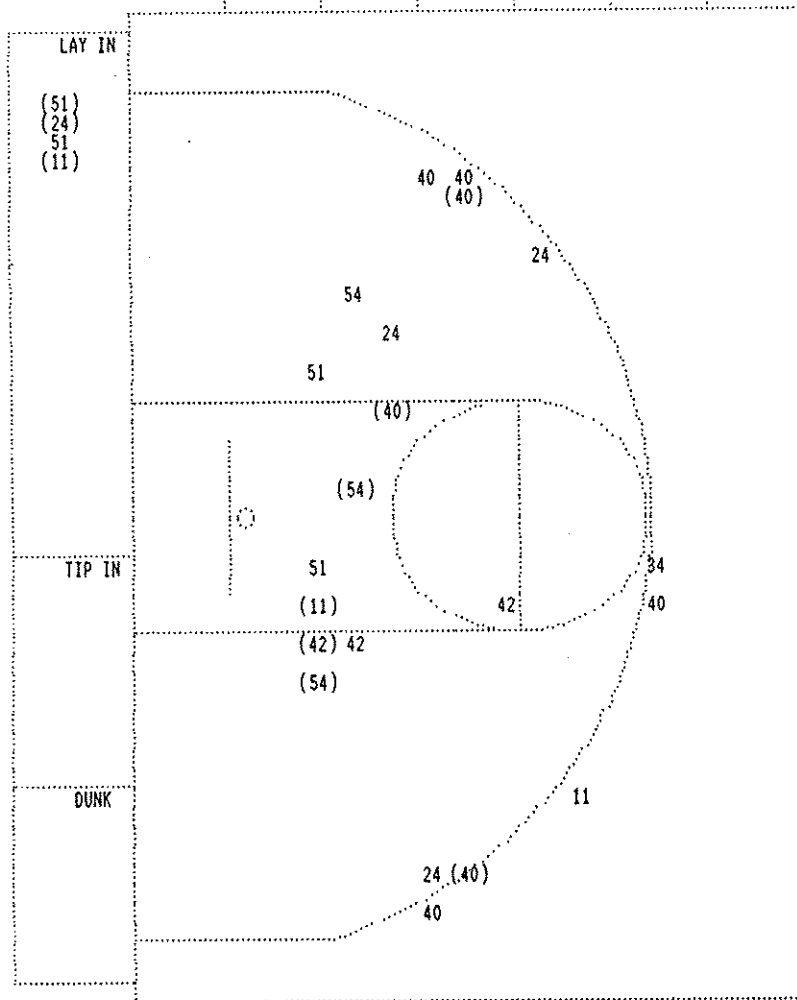
PLEASURE RIDGE PARK "PANTHERS" vs MASON COUNTY "ROYALS"  
2nd Half Play by Play

PAGE : 1

Tip off at 1:00 PM on 03/17/93 at BOYS STATE TOURNEY GAME 1  
Produced by the KHSAA Sweet Sixteen Stat Crew with FINAL III - a Product of LEXICON

| MASON COUNTY |       |             |  | PLEASURE RIDGE PARK |                 |   |  |
|--------------|-------|-------------|--|---------------------|-----------------|---|--|
| Player       | Team  |             |  | Time                | Score           | Player  | Team   |
| MYRICK, TIM  | 11-26 | 42.3%       | 4 ft Lane Jump shot by SHERMAN, KYLE           | 3 7:45              | *27-32          | MACKLIN, DANYELL                              | LINVILLE, MATT, KELLY, RAMONE, STANDARD, D., TAYLOR, CHARLIE |
| 2            | 1     |             | Foul on MYRICK, SHAWN                          | 3 7:35              | 27-34*          | 8 ft Left Side Follow by LINVILLE, MATT       | 3-6 50.0% 13-29 44.8%  |
|              |       |             | Sub In: STEWARD, WILLIAM Out: MYRICK, TIM      | 3 7:07              |                 | Driving Layup by TAYLOR, CHARLIE              | 2-5 40.0% 14-30 46.6%  |
| 2-2          | 100%  | 5-6 83.3%   | THOMAS, ANTHONY, 2 Free Throws made both       | 3 7:02              | 27-36*          | 4 ft Lane Turnaround by MACKLIN, DANYELL      | 5-8 62.5% 15-32 46.8%  |
|              |       |             |  | 3 6:29              | 27-38*          | Assist by TAYLOR, CHARLIE                     | 2 6  |
| 2-2          | 100%  | 7-8 87.5%   | STEWARD, WILLIAM, 2 Free Throws made both      | 3 6:01              |                 | Foul on KELLY, RAMONE                         | 1 1  |
|              |       |             |  | 3 5:53              | *29-38          | Foul on LINVILLE, MATT                        | 2 2  |
| 2            | 2     |             | Foul on KING, JULIUS                           | 3 5:47              |                 | Sub In: WELLS, STEVE Out: KELLY, RAMONE       |  |
|              |       |             | Sub In: MYRICK, TIM Out: SHERMAN, KYLE         | 3 5:47              | *31-38          | Foul on TAYLOR, CHARLIE                       | 3 3  |
| 2-6          | 33.3% | 12-31 38.7% | 3 pt 21 ft Left Side Jump shot by MYRICK, TIM  | 3 5:42              |                 | 4 ft Lane Follow by MACKLIN, DANYELL          | 6-9 66.6% 16-34 47.0%  |
| 3            | 6     |             | Assist by KING, JULIUS                         | 3 5:22              | 31-40*          | MACKLIN, DANYELL, 1 Free Throw missed         | 1-2 50.0% 6-8 75.0%  |
|              |       |             |  | 3 5:21              |                 | Foul on LINVILLE, MATT                        | 4-7 57.1% 17-35 48.5%  |
|              |       |             | Sub In: JOHNSON, LAMONT Out: KING, JULIUS      | 3 4:59              |                 | Sub In: ALEXANDER, CRAIG Out: LINVILLE, MATT  | 5-8 62.5% 18-36 50.0%  |
|              |       |             |  | 3 4:39              | 31-42*          | 3 ft Lane Turnaround by LINVILLE, MATT        | 2 7  |
|              |       |             |  | 3 4:06              | 31-44*          | Driving Layup by LINVILLE, MATT               | 3 4  |
|              |       |             |  | 3 3:36              |                 | Assist by WELLS, STEVE                        |  |
|              |       |             |  | 3 3:36              |                 | Foul on LINVILLE, MATT                        |  |
|              |       |             |  | 3 3:36              | *34-44          | Sub In: ALEXANDER, CRAIG Out: TAYLOR, CHARLIE | 1 5  |
|              |       |             |  | 3 3:04              |                 | Foul on ALEXANDER, CRAIG                      |  |
|              |       |             |  | 3 3:04              |                 | Sub In: KELLY, RAMONE Out: TAYLOR, CHARLIE    |  |
|              |       |             |  | 3 2:53              |                 |   |  |
|              |       |             | REB: 17 A: 6 BLK: 3 TO: 21 PF: 2               |                     |                 | REB: 18 A: 7 BLK: 2 TO: 16 PF: 5              |  |
|              |       |             | s: 9 FT: 7-8 87.5% FG: 12-31 38.7%             | No. 1 MASON COUNTY  | T I M E - O U T | s: 8 FT: 6-8 75.0% FG: 18-37 48.6%            |  |
| 3-7          | 42.8% | 13-32 40.6% | 8 ft Lane Jump shot by MYRICK, TIM             | 3 2:41              | *36-44          | 6 ft Lane Driving by WELLS, STEVE             | 5-5 100% 19-38 50.0%   |
|              |       |             |  | 3 2:30              | 36-46*          | Layup Off Fast Break by KELLY, RAMONE         | 1-4 25.0% 20-41 48.7%  |
|              |       |             |  | 3 1:40              | 36-48*          | Foul on ALEXANDER, CRAIG                      | 2 6  |
|              |       |             | Sub In: STEWARD, WILLIAM Out: JOHNSON, LAMONT  | 3 1:34              |                 |   |  |
| 2-5          | 40.0% | 14-35 40.0% | 8 ft Left Side Turnaround by SHERMAN, KYLE     | 3 1:34              | *38-48          |   |  |
| 6-8          | 75.0% | 15-36 41.6% | Driving Layup by THOMAS, ANTHONY               | 3 1:34              | *40-48          |   |  |
| 2            | 7     |             | Assist by SHERMAN, KYLE                        | 3 0:58              | *40-48          |   |  |
| 4-8          | 50.0% | 16-37 43.2% | 3 pt 21 ft Right Side Jump shot by MYRICK, TIM | 3 0:42              | 40-50*          | Driving Layup by MACKLIN, DANYELL             | 7-12 58.3% 21-43 48.8%                                       |
| 1            | 8     |             | Assist by STEWARD, WILLIAM                     | 3 0:31              | *43-50          | Assist by KELLY, RAMONE                       | 1 8  |
|              |       |             |  | 3 0:17              |                 | Sub In: LINVILLE, MATT Out: MACKLIN, DANYELL  |  |

| MASON COUNTY   |       |                       |       | PLEASURE RIDGE PARK  |        |   |        |                   |
|--|-------|-----------------------|-------|--|--------|---|--------|-------------------|
| Player   | Team  |                       |       | Time   | Score  |   | Player | Team              |
| MYRICK, TIM, THOMAS, ANTHONY, SHERMAN, KYLE, MYRICK, SHAWN, KING, JULIUS |       |                       |       | LINVILLE, MATT, KELLY, RAMONE, MACKLIN, DANYELL, TAYLOR, CHARLIE, WELLS, STEVE |        |   |        |                   |
| Ball to PANTHERS   |       |                       |       |  |        |   |        |                   |
| 3  | 3     | Foul on MYRICK, SHAWN |       | 4 7:45   |        |   |        |                   |
| 3-5  | 60.0% | 17-38                 | 44.7% | 4 7:42   |        |   |        |                   |
| Sub In: STEWARD, WILLIAM Out: KING, JULIUS                               |       |                       |       | 4 7:11   | *45-50 |   |        |                   |
| 6 ft Left Side Bank by STEWARD, WILLIAM                                  |       |                       |       | 4 6:28   | 45-52* | 6 ft Left Side Bank by LINVILLE, MATT                   | 6-9    | 66.6% 22-47 46.8% |
|  |       |                       |       | Assist by MACKLIN, DANYELL   |        |   |        |                   |
| Sub In: KING, JULIUS Out: THOMAS, ANTHONY                                |       |                       |       | 4 5:48   | 45-54* | Driving Layup by WELLS, STEVE                           | 6-8    | 75.0% 23-48 47.9% |
|  |       |                       |       | 4 5:34   |        |   |        |                   |
|  |       |                       |       | 4 5:34   |        | Sub In: STANDARD, D. Out: WELLS, STEVE                  |        |                   |
|  |       |                       |       | 4 5:21   | 45-56* | 12 ft Left Angle Jump shot by KELLY, RAMONE             | 2-6    | 33.3% 24-49 48.9% |
|  |       |                       |       | 4 4:27   | 45-58* | Driving Layup by STANDARD, D.                           | 2-9    | 22.2% 25-51 49.0% |
|  |       |                       |       | 4 4:20   | 45-60* | Layup Off Fast Break by STANDARD, D.                    | 3-10   | 30.0% 26-52 50.0% |
| 4  | 4     | Foul on MYRICK, SHAWN |       | 4 4:20   |        |   |        |                   |
| REB: 23 A: 8 BLK: 3 TO: 26 PF: 4   |       |                       |       | REB: 25 A: 9 BLK: 3 TO: 18 PF: 6   |        |   |        |                   |
| S: 10 FT: 7-8 87.5% FG: 17-42 40.4%                                      |       |                       |       | S: 11 FT: 6-8 75.0% FG: 26-52 50.0%  |        |   |        |                   |
| No. 2 MASON COUNTY   |       |                       |       | T I M E - O U T  |        |   |        |                   |
| Sub In: JOHNSON, LAMONT Out: STEWARD, WILLIAM                            |       |                       |       | 4 4:12   |        |   |        |                   |
|  |       |                       |       | 4 4:20   | 45-61* | STANDARD, D., 1 Free Throw made                         | 1-1    | 100% 7-9 77.7%    |
| 3-10   | 30.0% | 18-44                 | 40.9% | 4 4:01   | *47-61 |   |        |                   |
| 1-2  | 50.0% | 19-45                 | 42.2% | 4 3:54   | *49-61 |   |        |                   |
| 2  |       | 9                     |       | Sub In: WELLS, STEVE Out: KELLY, RAMONE  |        |   |        |                   |
| Follow Follow by MYRICK, SHAWN   |       |                       |       | 4 3:19   |        | Layup Off Fast Break by STANDARD, D.                    | 4-11   | 36.3% 27-54 50.0% |
| 4 ft Lane Follow by JOHNSON, LAMONT                                      |       |                       |       | Assist by LINVILLE, MATT   |        |   |        |                   |
| Assist by MYRICK, SHAWN  |       |                       |       | 4 2:51   | 49-63* | Foul on MACKLIN, DANYELL                                |        |                   |
| Sub In: STEWARD, WILLIAM Out: SHERMAN, KYLE                              |       |                       |       | 4 2:43   |        |   | 2      | 8                 |
|  |       |                       |       | 4 2:43   | *50-63 |   |        |                   |
| 1-2  | 50.0% | 8-10                  | 80.0% | 4 2:26   |        | Foul on STANDARD, D.                                    |        |                   |
| KING, JULIUS, 1 & Bonus made 1st missed 2nd                              |       |                       |       | 4 2:26   |        |   |        |                   |
| Sub In: THOMAS, ANTHONY Out: STEWARD, WILLIAM                            |       |                       |       | 4 1:53   | 50-65* | Driving Layup by MACKLIN, DANYELL                       | 8-14   | 57.1% 28-55 50.9% |
| Sub In: STEWARD, WILLIAM Out: JOHNSON, LAMONT                            |       |                       |       | Assist by STANDARD, D.   |        |   |        |                   |
| 3  | 5     | Foul on KING, JULIUS  |       | 4 1:53   | 50-66* | MACKLIN, DANYELL, 1 Free Throw made                     | 2-3    | 66.6% 8-10 80.0%  |
| 3  | 6     | Foul on MYRICK, TIM   |       | 4 1:35   |        |   |        |                   |
| 4  | 7     | Foul on KING, JULIUS  |       | 4 1:29   |        |   |        |                   |
| 5  | 8     | Foul on MYRICK, SHAWN |       | 4 1:29   | 50-68* | WELLS, STEVE, 1 & Bonus made both                       | 4-4    | 100% 10-12 83.3%  |
| Sub In: MACK, P.J. Out: KING, JULIUS                                     |       |                       |       | 4 1:03   |        |   |        |                   |
| Sub In: JOHNSON, LAMONT Out: MYRICK, SHAWN                               |       |                       |       | 4 0:58   |        |   |        |                   |
|  |       |                       |       | 4 0:58   |        | STANDARD, D., 1 Free Throw missed                       | 1-2    | 50.0% 10-13 76.9% |
|  |       |                       |       | 4 0:56   | 50-69* | STANDARD, D., 1 Free Throw made                         | 2-3    | 66.6% 11-14 78.5% |
|  |       |                       |       | 4 0:38   | 50-71* | 4 ft Lane Driving by LINVILLE, MATT                     | 7-10   | 70.0% 29-56 51.7% |
|  |       |                       |       | Assist by WELLS, STEVE   |        |   |        |                   |
| 2-3  | 66.6% | 20-50                 | 40.0% | 4 0:25   | *52-71 |   | 3      | 12                |
| Layup Off Fast Break by JOHNSON, LAMONT                                  |       |                       |       |  |        |   |        |                   |
| REB: 26 A: 9 BLK: 3 TO: 29 PF: 8   |       |                       |       | REB: 29 A: 12 BLK: 3 TO: 21 PF: 8  |        |   |        |                   |
| S: 11 FT: 8-10 80.0% FG: 20-50 40.0%                                     |       |                       |       | S: 12 FT: 11-14 78.5% FG: 29-56 51.7%  |        |   |        |                   |
| No. 3 MASON COUNTY   |       |                       |       | T I M E - O U T  |        |   |        |                   |
| Subs In: DOYLE, PHIL, LINVILLE, CHAD, GREENE, BRANDON, FOX, LAMAR,       |       |                       |       | 4 0:24   |        |   |        |                   |
| LESTER, MIKE   |       |                       |       |  |        |   |        |                   |
| Out: JOHNSON, LAMONT, MYRICK, TIM, STEWARD, WILLIAM, THOMAS, ANTHONY,    |       |                       |       | 4 0:24   |        | Subs In: LOCKHART, MIKEE, RICKETTS, JASON               |        |                   |
| MACK, P.J.   |       |                       |       | Out: MACKLIN, DANYELL, LINVILLE, MATT  |        |   |        |                   |
|  |       |                       |       | 4 0:24   |        | Subs In: PENICK, SCOTT, ASHFORD, GOLDIE, HAMILTON, ERIC |        |                   |
|  |       |                       |       | Out: STANDARD, D., TAYLOR, CHARLIE, WELLS, STEVE                               |        |   |        |                   |
| 1  | 9     | Foul on DOYLE, PHIL   |       | 4 0:17   |        |   |        |                   |
| Sub In: NEFF, MATT Out: LESTER, MIKE                                     |       |                       |       | 4 0:17   |        |   |        |                   |
|  |       |                       |       | 4 0:17   | 52-73* | PENICK, SCOTT, 1 & Bonus made both                      | 2-2    | 100% 13-16 81.2%  |
|  |       |                       |       | 4 0:03   |        | Foul on LOCKHART, MIKEE                                 | 1      | 9                 |
|  |       |                       |       | 4 0:03   |        | Subs In: SCHLATTER, JASON, NELSON, GILWAN, FEY, BRANDON |        |                   |
|  |       |                       |       | Out: PENICK, SCOTT, HAMILTON, ERIC, LOCKHART, MIKEE                            |        |   |        |                   |
|  |       |                       |       | 4 0:00   |        | Sub In: HAMILTON, ERIC Out: RICKETTS, JASON             |        |                   |
| 0-1  | 00.0% | 8-11                  | 72.7% | 4 0:00   |        |   |        |                   |
| FOX, LAMAR, 1 & Bonus missed 1st   |       |                       |       | 4 0:00   |        | Rebound by NELSON, GILWAN                               | D-1    | Tot-1 D-1 Tot-30  |



| MASON COUNTY    |        |          |                  |            |         |
|-----------------|--------|----------|------------------|------------|---------|
| Player          |        |          | Player           |            | Player  |
| 40 - MYRICK, TI | 3 / 7  | 42.8%    | 11 - JOHNSON, L  | 2 / 3      | 66.6%   |
| 51 - THOMAS, AN | 1 / 4  | 25.0%    | 42 - STEWARD, WI | 1 / 3      | 33.3%   |
| 54 - SHERMAN, K | 2 / 3  | 66.6%    |                  |            |         |
| 24 - MYRICK, SH | 1 / 4  | 25.0%    |                  |            |         |
| 34 - KING, JULI | 0 / 1  | 0.0%     |                  |            |         |
| Layups          | 1-9 Ft | 10-15 Ft | Over 15 Ft       | 3 Pointers | Total   |
| 3 / 4           | 5 / 8  | 0 / 3    |                  | 2 / 10     | 10 / 25 |
| 75.0%           | 62.5%  | 0.0%     |                  | 20.0%      | 40.0%   |

| PLEASURE RIDGE PARK |        |          |                 |            |         |
|---------------------|--------|----------|-----------------|------------|---------|
| Player              |        |          | Player          |            | Player  |
| 30 - MACKLIN, DA    | 4 / 7  | 57.1%    | 25 - WELLS, STE | 2 / 4      | 50.0%   |
| 34 - LINVILLE,      | 5 / 5  | 100.0%   | 42 - LOCKHART,  | 0 / 1      | 0.0%    |
| 24 - KELLY, RAM     | 2 / 4  | 50.0%    |                 |            |         |
| 12 - STANDARD,      | 3 / 6  | 50.0%    |                 |            |         |
| 15 - TAYLOR, CH     | 1 / 3  | 33.3%    |                 |            |         |
| Layups              | 1-9 Ft | 10-15 Ft | Over 15 Ft      | 3 Pointers | Total   |
| 9 / 10              | 7 / 14 | 1 / 2    |                 | 0 / 4      | 17 / 30 |
| 90.0%               | 50.0%  | 50.0%    |                 | 0.0%       | 56.7%   |